

2 Piece Full Port High Pressure Ball Valve
ISO 5211 Mounting Pad
Pressure Rating: 1/4"-2" 2000 PSI (W.O.G.)
2-1/2"-4" 1500 PSI (W.O.G.)
Size: 1/4"-4"



AF-25

Features

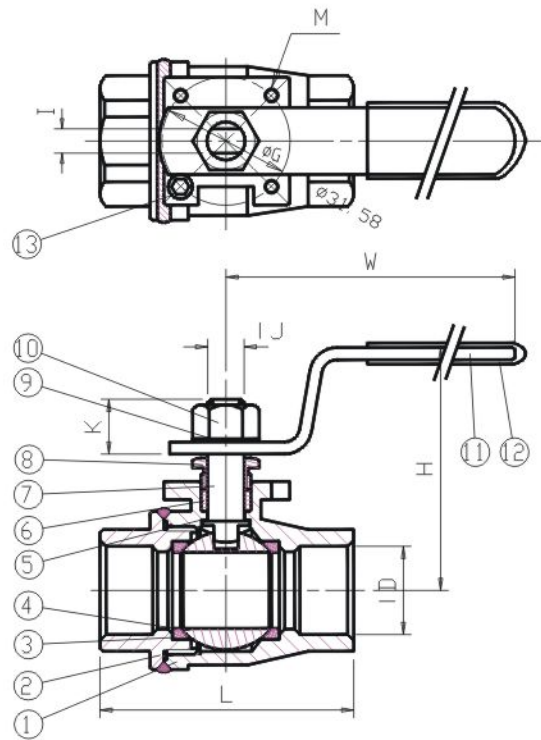
- Body: Investment Casting Stainless Steel, Carbon Steel
- Blowout proof Stem
- Low Operating Torque
- Locking Device (Option)
- Fire Safe Design (Option)
- Testing & Inspection: API 598 (EN12266-1,2)



ISO 9001 REGISTERED

Material Specifications

ITEM	DESCRIPTION	STAINLESS STEEL	CARBON STEEL
1	BODY	ASTM A351-CF8M	ASTM A216-WCB
2	END CAP	ASTM A351-CF8M	ASTM A216-WCB
3	SEAT	REINFORCED TFE	REINFORCED TFE
4	BALL	ASTM A351-CF8M/316	ASTM A351-CF8/304
5	GASKET	PTFE	PTFE
6	STEM PACKING	PTFE	PTFE
7	STEM	ASTM A276-316	ASTM A276-304
8	GLAND	AISI 304	AISI 304
9	HANDLE WASHER	AISI 304	AISI 304
10	HANDLE NUT	AISI 304	AISI 304
11	HANDLE	AISI 304	ZINC PLATED STEEL
12	HANDLE COVER	PVC	PVC
13	STOP SCREW	AISI 304	CARBON STEEL



Valve Dimensions

SIZE		øD		L		I		øJ		K		øG		H		W		M(ø)
in	mm	in	mm	in	mm	in	mm	in	mm	in	mm	in	mm	in	mm	in	mm	mm
1/4"	8	0.43	11.0	2.32	59.0	0.20	5.0	0.31	8.0	0.37	9.5	1.42	36.0	2.36	60.0	5.31	135.0	M5
3/8"	10	0.49	12.5	2.32	59.0	0.20	5.0	0.31	8.0	0.37	9.5	1.42	36.0	2.36	60.0	5.31	135.0	M5
1/2"	15	0.59	15.0	2.44	62.0	0.20	5.0	0.31	8.0	0.47	12.0	1.42	36.0	2.44	62.0	5.31	135.0	M5
3/4"	20	0.79	20.0	2.87	73.0	0.24	6.0	0.39	10.0	0.53	13.5	1.42	36.0	2.68	68.0	5.31	135.0	M5
1"	25	1.00	25.4	3.35	85.0	0.31	8.0	0.47	12.0	0.71	18.0	1.65	42.0	3.15	80.0	6.50	165.0	M5
1 1/4"	32	1.26	32.0	3.82	97.0	0.31	8.0	0.47	12.0	0.71	18.0	1.65	42.0	3.39	86.0	6.50	165.0	M5
1 1/2"	40	1.50	38.0	4.53	115.0	0.31	8.0	0.55	14.0	0.71	18.0	1.97	50.0	3.39	86.0	6.89	175.0	M5
2"	50	1.97	50.0	5.28	134.0	0.31	8.0	0.55	14.0	0.71	18.0	1.97	50.0	3.74	95.0	6.89	175.0	M6
2 1/2"	65	2.56	65.0	6.61	168.0	0.47	12.0	0.79	20.0	1.14	29.0	2.76	70.0	5.20	132.0	10.24	260.0	ø6.9
3"	80	3.15	80.0	7.52	191.0	0.47	12.0	0.79	20.0	1.14	29.0	2.76	70.0	5.63	143.0	10.24	260.0	ø6.9
4"	100	3.94	100.0	9.09	231.0	0.63	16.0	0.98	25.0	1.24	31.5	4.02	102.0	6.69	170.0	11.02	280.0	ø8.7

How To Order

AF-25 05 S

Type	Size		Body Material	
AF-25	01	1/4"	S	ASTM A351 Gr. CF8M
	02	3/8"	W	ASTM A216 Gr. WCB
	03	1/2"		
	04	3/4"		
	05	1"		
	06	1-1/4"		
	07	1-1/2"		
	08	2"		
	09	2-1/2"		
	10	3"		
	11	4"		