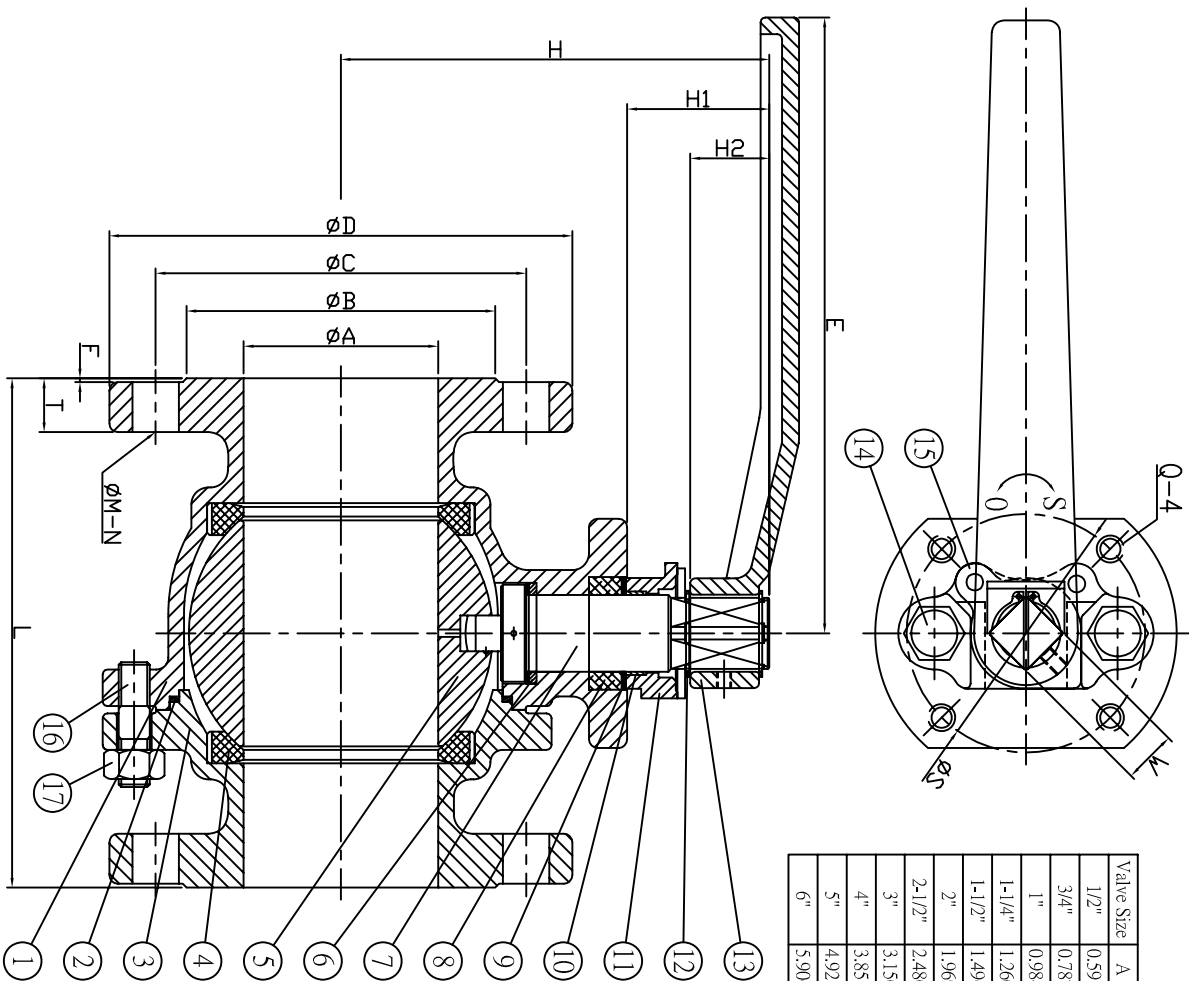


DIMENSIONS

Unit : Inch

Valve Size	A	B	C	D	E	F	H	H1	H2	L	W	S	T	Q	ØM-N
1/2"	0.591	1.380	2.620	3.750	5.150	0.660	2.587	0.894	0.492	5.512	0.433	1.654	0.560	1/4"-20	Ø0.620-4
3/4"	0.787	1.690	3.250	4.620	5.150	0.660	2.685	0.886	0.492	5.984	0.433	1.654	0.620	1/4"-20	Ø0.750-4
1"	0.984	2.000	3.500	4.880	6.496	0.660	3.173	1.154	0.610	6.496	0.551	1.969	0.690	1/4"-20	Ø0.750-4
1-1/4"	1.260	2.500	3.880	5.250	6.496	0.660	3.406	1.154	0.610	7.008	0.551	1.969	0.750	1/4"-20	Ø0.750-4
1-1/2"	1.496	2.880	4.500	6.120	7.953	0.660	4.287	1.512	0.846	7.480	0.669	2.756	0.810	5/16"-18	Ø0.880-4
2"	1.969	3.620	5.000	6.500	7.953	0.660	4.587	1.512	0.846	8.504	0.669	2.756	0.880	5/16"-18	Ø0.750-8
2-1/2"	2.480	4.120	5.880	7.500	7.953	0.660	5.472	1.512	0.846	9.488	0.669	2.756	1.000	5/16"-18	Ø0.880-8
3"	3.150	5.000	6.620	8.250	12.933	0.660	6.669	2.295	1.240	11.102	0.866	4.016	1.120	3/8"-16	Ø0.880-8
4"	3.858	6.190	7.880	10.000	12.933	0.660	7.610	2.374	1.303	12.008	0.866	4.016	1.250	3/8"-16	Ø0.880-8
5"	4.921	7.310	9.250	11.000	12.933	0.660	9.331	2.953	1.791	15.000	1.063	4.921	1.380	1/2"-13	Ø0.880-8
6"	5.906	8.500	10.620	12.500	12.933	0.660	10.079	2.953	1.791	15.866	1.063	4.921	1.440	1/2"-13	Ø0.880-12



MATERIALS

NO.	PART NAME	MATERIAL
1	BODY	ASTM A351 Gr. CF8M
2	BODY SEAL	PTFE
3	END CAP	ASTM A351 Gr. CF8M
4	SEAT	RTFE.(+15% G/F)
5	BALL	ASTM A351 Gr. CF8M
6	THRUST WASHER	PTFE.
7	STEM	SS 316
8	STEM PACKING	PTFE
9	GLAND WASHER	PTFE.
10	GLAND BEARING	PTFE.
11	GLAND	SS 304
12	SNAP RING	SS 304
13	HANDLE	FCD45
14	BOLT	SS 304
15	STOP PLATE	SS 304
16	STUD	ASTM A193 Gr. B8
17	NUT	ASTM A194 Gr. 8

REV	DATE	DESCRIPTION	CODE	REVISER	REMARKS	APPROVE	CHECK	SCALE	UNIT	DATE	Q'TY	TITLE	REV	F
						1/2"-6"		FREE	mm			2-PC FLANGED END BALL VALVE		
						ANSI 300		AF-50		20050922				
						Flanged								
						Ball Valve								