

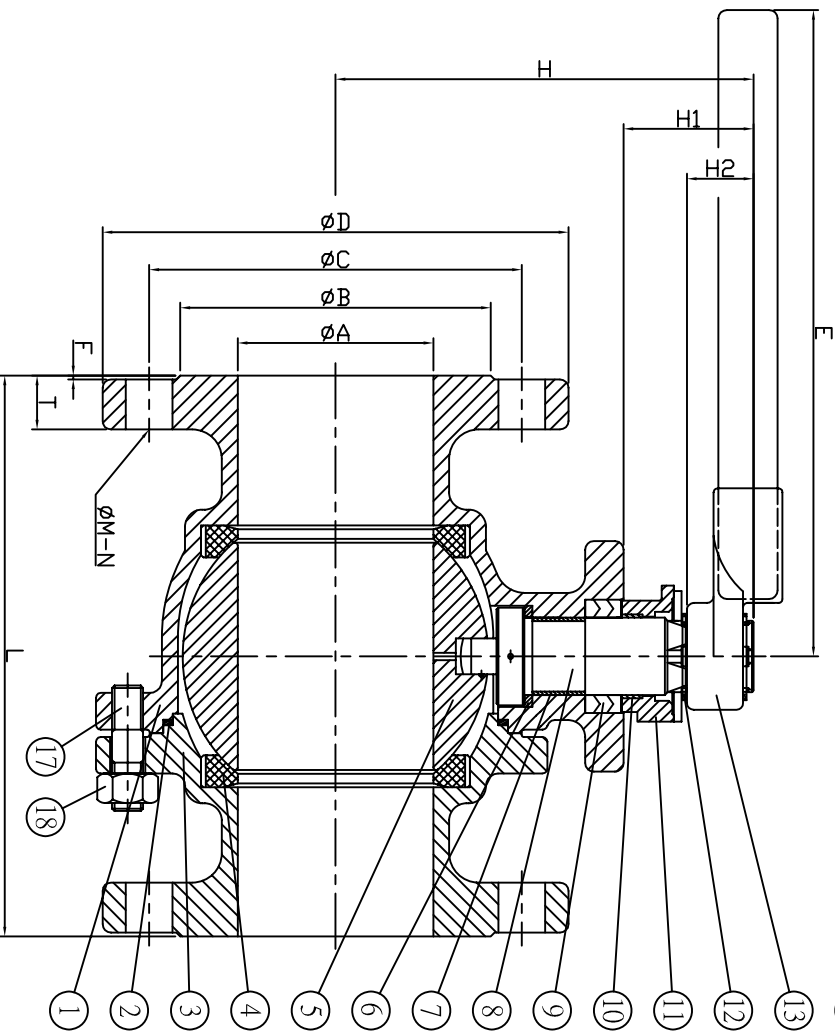
Valve Size		A	B	C	D	E	F	G	H	I	J	K	L	M	N	O	Q	ØM-N
8"		7.874	10.620	11.750	3.500	32.126	0.060	12.815	2.913	1.713	17.992	1.417	5.512	1.120	5/8"-11			Ø0.8800-8
10"		9.843	12.750	4.250	6.000	40.000	0.060	15.394	4.567	2.736	20.984	1.811	6.496	1.190	3/4"-10			Ø1.000-12

**DIMENSIONS**

Unit : Inch

**MATERIALS**

NO.	PART NAME	MATERIAL
1	BODY	ASTM A351 Gr. CF8M
2	BODY SEAL	PTFE.
3	END CAP	ASTM A351 Gr. CF8M
4	SEAT	RTFE. (+15% G/F)
5	BALL	ASTM A351 Gr. CF8M
6	THRUST WASHER	PTFE.
7	STEM BUSHING	PTFE.
8	STEM	SS 316
9	STEM PACKING	PTFE.
10	GLAND BEARING	PTFE.
11	GLAND	SS 304
12	SNAP RING	SS 304
13	HANDLE ADAPTER	SS 304
14	BOLT	SS 304
15	STOP PLATE	SS 304
16	HANDLE	CARBON STEEL
17	STUD	ASTM A193 Gr. B8
18	NTUT	ASTM A194 Gr. 8



REV	DATE	DESCRIPTION	CODE	REVISER	REMARKS
					Ball Valve

MATERIAL	APPROVE	CHECK	REV	F
8" ~ 10"				
ANSI 150				
Flanged				
OTHER				
DWG NO	AF-50	TITLE	2-PC FLANGED END BALL VALVE	
SCALE	FREE	UNIT	mm	DATE
PART NO	AF-50	QTY		DRW BY
				Peggy
				2005.09.22

AFLOW Anson Flow Corp.