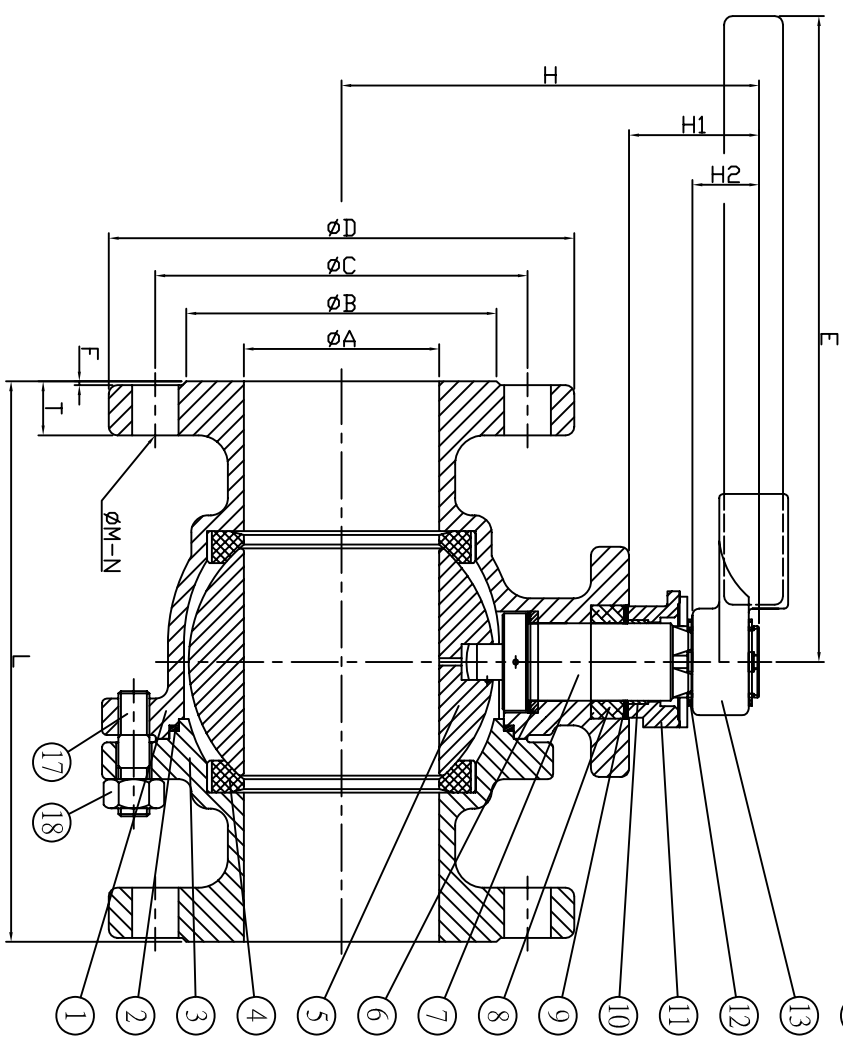


| Valve Size | A | B | C | D | E | F | H | H1 | H2 | L | W | S | T | Q | ØM-N |
|------------|-------|--------|--------|-------|--------|-------|--------|-------|-------|--------|-------|-------|-------|---------|-----------|
| 8" | 7.874 | 10.620 | 13.000 | 5.000 | 32.126 | 0.060 | 12.815 | 2.913 | 1.713 | 19.764 | 1.417 | 5.512 | 1.620 | 5/8"-11 | Ø1,000-12 |
| 10" | 9.843 | 12.750 | 15.250 | 7.500 | 40.000 | 0.060 | 15.394 | 4.567 | 2.736 | 22.362 | 1.811 | 6.496 | 1.880 | 3/4"-10 | Ø1,120-16 |

DIMENSIONS
Unit : Inch



MATERIALS

| NO. | PART NAME | MATERIAL |
|-----|----------------|--------------------|
| 1 | BODY | ASTM A351 Gr. CF8M |
| 2 | BODY SEAL | SS 316+GRAPHITE |
| 3 | END CAP | ASTM A351 Gr. CF8M |
| 4 | SEAT | RTPE.(+15% G/F) |
| 5 | BALL | ASTM A351 Gr. CF8M |
| 6 | THRUST WASHER | PTFE.+GRAPHITE |
| 7 | STEM | SS 316 |
| 8 | STEM PACKING | GRAPHITE |
| 9 | GLAND WASHER | PTFE. |
| 10 | GLAND BEARING | PTFE. |
| 11 | GLAND | SS 304 |
| 12 | SNAP RING | SS 304 |
| 13 | HANDLE ADAPTER | SS 304 |
| 14 | BOLT | SS 304 |
| 15 | STOP PLATE | SS 304 |
| 16 | HANDLE | CARBON STEEL |
| 17 | STUD | ASTM A193 Gr. B8 |
| 18 | NUT | ASTM A194 Gr. 8 |

| REV | DATE | DESCRIPTION | CODE | REVISER | REMARKS | MATERIAL | APPROVE | CHECK | DRAWN BY | REV |
|-----|------|-------------|------|---------|---------|----------|---------|------------------|----------|-----|
| | | | | | | 8"~10" | | | Peggy | F |
| | | | | | | ANSI 300 | FREE | UNIT | DATE | |
| | | | | | | FIRESAFE | AF-50F | mm | 20050922 | |
| | | | | | | API 607 | AF-50F | Q'TY | | |
| | | | | | | | | 2-PC FLANGED END | | |
| | | | | | | | | BALL VALVE | | |