

MATERIALS LIST

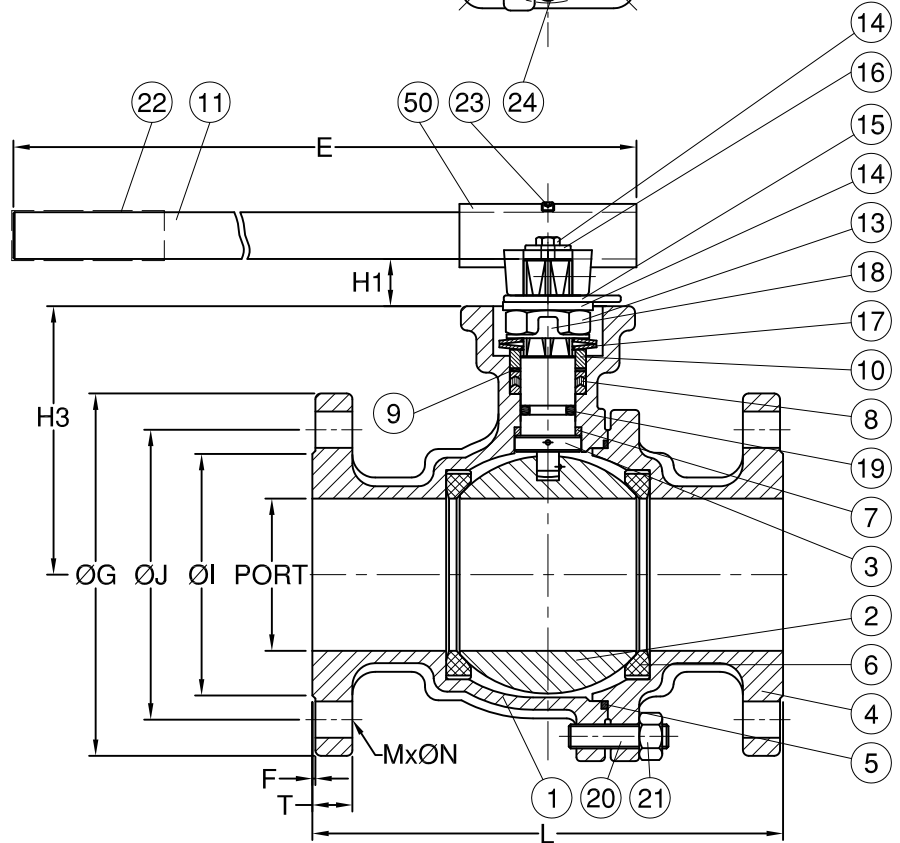
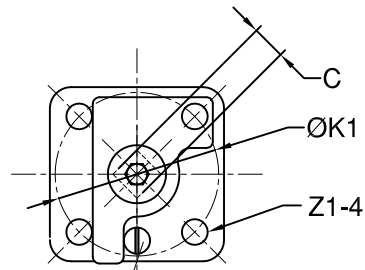
| NO. | PART NAME | MATERIAL | |
|-----|-------------------|-----------------|-----------------|
| 1 | BODY | ASTM A351 CF8M | ASTM A216 WCB |
| 2 | BALL | CF8M | CF8M |
| 3 | STEM | SS316 | SS316 |
| 4 | END CAP | ASTM A351 CF8M | ASTM A216 WCB |
| 5 | BODY SEAL | PTFE. | PTFE. |
| 6 | SEAT | RTFE. | RTFE. |
| 7 | THRUST WASHER | RTFE. | RTFE. |
| 8 | STEM PACKING | RTFE. | RTFE. |
| 9 | THRUST WASHER | PTFE.+25%G.F. | PTFE.+25%G.F. |
| 10 | GLAND | SS304 | SS304 |
| 11 | HANDLE | SS304 | SS304 |
| 12 | HANDLE COVER | PLASTIC | PLASTIC |
| 13 | STEM NUT | SS304 | SS304 |
| 14 | HANDLE WASHER | SS304 | SS304 |
| 15 | HANDLE NUT | SS304 | SS304 |
| 16 | LOCKING PAD | SS304 | SS304 |
| 17 | BELLEVILLE WASHER | SUS301 | SUS301 |
| 18 | STOP WASHER | SS304 | SS304 |
| 19 | STEM O-RING | VITON | VITON |
| 20 | STOP | SS304 | SS304 |
| 21 | STUD | ASTM A193 Gr.B8 | ASTM A193 Gr.B8 |
| 22 | NUT | ASTM A194 Gr.8 | ASTM A194 Gr.8 |

DIMENSIONS

| SIZE | PORT | L | E | H2 | H3 | C | ØG | ØJ | ØI | T | F | M | ØN | ØK | ØK1 | ØK1 | Z-4 | Z1-4 | | |
|-------|--------|-------|-------|-----|------|-------|------|-------|-------|-------|------|-----|----|------|-----|-----|-----|------|------|------|
| DN15 | 1/2" | 15.0 | 108.0 | 112 | 8.5 | 48 | 9.0 | 89.0 | 60.5 | 35.0 | 11.2 | 1.6 | 4 | 16.0 | 50 | F05 | 36 | F03 | 7.0 | 6.0 |
| DN20 | 3/4" | 20.0 | 117.0 | 112 | 8.5 | 53.5 | 9.0 | 98.6 | 70.0 | 43.0 | 12.7 | 1.6 | 4 | 16.0 | 50 | F05 | 36 | F03 | 7.0 | 6.0 |
| DN25 | 1" | 25.0 | 127.0 | 136 | 9.5 | 64 | 9.0 | 108.0 | 79.2 | 51.0 | 14.3 | 1.6 | 4 | 16.0 | 50 | F05 | 36 | F03 | 7.0 | 6.0 |
| DN32 | 1-1/4" | 32.0 | 140.0 | 185 | 9.5 | 71 | 9.0 | 117.5 | 88.9 | 63.5 | 15.9 | 1.6 | 4 | 16.0 | 50 | F05 | 36 | F03 | 7.0 | 6.0 |
| DN40 | 1-1/2" | 38.0 | 165.0 | 198 | 14.0 | 76 | 14.0 | 127.0 | 98.6 | 73.2 | 17.5 | 1.6 | 4 | 16.0 | 70 | F07 | 50 | F05 | 9.0 | 7.0 |
| DN50 | 2" | 50.0 | 178.0 | 198 | 13.7 | 84.5 | 14.0 | 152.5 | 120.7 | 92.0 | 19.1 | 1.6 | 4 | 19.0 | 70 | F07 | 50 | F05 | 9.0 | 7.0 |
| DN65 | 2-1/2" | 64.0 | 190.0 | 265 | 18.0 | 106.8 | 17.0 | 177.8 | 139.7 | 104.7 | 23.3 | 1.6 | 4 | 19.0 | 102 | F10 | 70 | F07 | 12.0 | 10.0 |
| DN80 | 3" | 76.0 | 203.0 | 265 | 18.0 | 116.0 | 17.0 | 190.5 | 152.4 | 127.0 | 23.9 | 1.6 | 4 | 19.0 | 102 | F10 | 70 | F07 | 12.0 | 10.0 |
| DN100 | 4" | 100.0 | 229.0 | 325 | 18.0 | 154.5 | 17.0 | 228.6 | 190.5 | 157.2 | 23.9 | 1.6 | 8 | 19.0 | 102 | F10 | 70 | F07 | 12.0 | 10.0 |

FLANGE DIMENSION: ASME B16.5
FACE TO FACE: ASME B16.10

| REV | DATE | DESCRIPTION | CODE | REVISER | REMARKS | MATERIAL | APPROVE | CHECK | SCALE | UNIT | mm | Q'TY | REV | DRAWN BY | DATE |
|-----|------|-------------|------|---------|---------|----------------------|---------|-------|-------------------------------|-----------|-------|-------------------------|-----|----------|------------|
| | | | | | | | | | FREE | UNIT | mm | | | Lawrence | 2011.06.21 |
| | | | | | | 1/2"~4" Class 150 | | | PART NO | AF-51-001 | | | | | |
| | | | | | | | | | DWG NO | AF-51-001 | TITLE | 2-PC Flanged Ball Valve | | | |
| | | | | | | | | | AF Anson Flow Corp. | | | | | | |



MATERIALS LIST

| NO. | PART NAME | MATERIAL | |
|-----|-------------------|-----------------|-----------------|
| 1 | BODY | ASTM A351 CF8M | ASTM A216 WCB |
| 2 | BALL | ASTM A351 CF8M | CF8M |
| 3 | STEM | SS316 | SS316 |
| 4 | END CAP | ASTM A351 CF8M | ASTM A216 WCB |
| 5 | BODY SEAL | PTFE. | PTFE. |
| 6 | SEAT | RTFE. | RTFE. |
| 7 | THRUST WASHER | RTFE. | RTFE. |
| 8 | STEM PACKING | RTFE. | RTFE. |
| 9 | THRUST WASHER | PTFE.+25%G.F. | PTFE.+25%G.F. |
| 10 | GLAND | SS304 | SS304 |
| 11 | HANDLE | LRON | LRON |
| 13 | STEM NUT | SS304 | SS304 |
| 14 | HANDLE WASHER | SS304 | SS304 |
| 15 | TRIANGLE STOPPER | SS304 | SS304 |
| 16 | BOLT | SS304 | SS304 |
| 17 | BELLEVILLE WASHER | SUS301 | SUS301 |
| 18 | STOP WASHER | SS304 | SS304 |
| 19 | STEM O-RING | VITON | VITON |
| 20 | STUD | ASTM A193 Gr.B8 | ASTM A193 Gr.B8 |
| 21 | NUT | ASTM A194 Gr.8 | ASTM A194 Gr.8 |
| 22 | HANDLE COVER | PLASTIC | PLASTIC |
| 23 | SET BOLT | SS304 | SS304 |
| 24 | STOP | SS304 | SS304 |
| 50 | HANDLE ADAPTER | ASTM A351 CF8 | ASTM A351 CF8 |

DIMENSIONS

unit:mm

| SIZE | PORT | L | E | H1 | H3 | C | ØG | ØJ | ØI | T | F | M | ØN | ØK1 | Z1-4 |
|-------|------|-------|-------|-------|------|-------|------|-------|-------|-------|------|-----|----|------|--------------|
| DN125 | 5" | 125.0 | 356.0 | 600.0 | 30.0 | 194.0 | 27.0 | 254.0 | 216.0 | 186.0 | 24.0 | 1.6 | 8 | 22.3 | 125 F12 14.0 |
| DN150 | 6" | 150.0 | 394.0 | 800.0 | 30.0 | 213.0 | 27.0 | 279.4 | 241.3 | 216.0 | 25.4 | 1.6 | 8 | 22.3 | 125 F12 14.0 |

FLANGE DIMENSION: ASME B16.5

FACE TO FACE: ASME B16.10

| REV | DATE | DESCRIPTION | CODE | REVISOR | REMARKS | MATERIAL | APPROVE | CHECK | SCALE | UNIT | mm | DATE | REV | BY |
|-----|------|-------------|------|---------|---------|--------------------|---------|-------|---|-----------|-------|------------|-----|-------------------------|
| | | | | | | 5"~6" Class 150 | | | FREE | UNIT | mm | 2015.11.12 | | Lawrence |
| | | | | | | | | | PART NO | AF-51-002 | QTY | | | |
| | | | | | | | | | DWG NO | AF-51-002 | TITLE | | | 2-PC Flanged Ball Valve |
| | | | | | | | | | AF_{low} Anson Flow Corp. | | | | | |