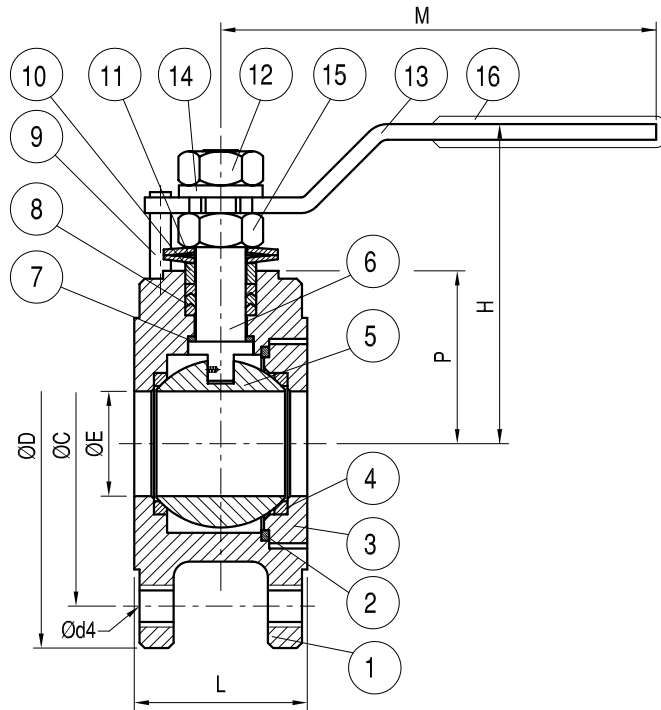
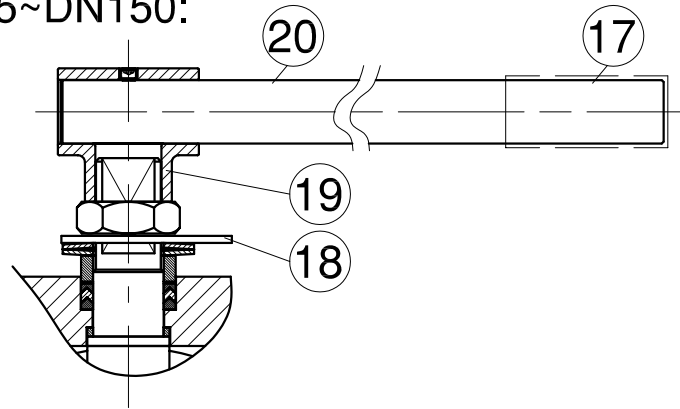
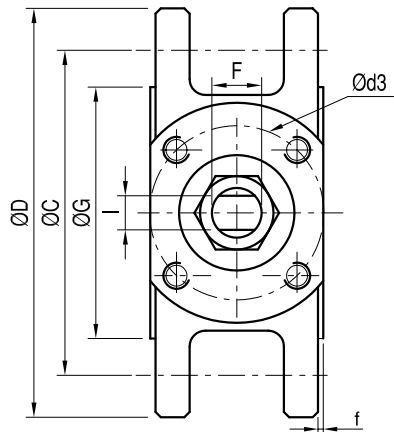


DN125~DN150:



□ MATERIAL OF CONSTRUCTION

ITEM	PARTS	MATERIAL	QTY
1	BODY	CF8M,CF8(1.4408)	1
2	GASKET	PTFE	1
3	RING NUT	CF8M,CF8(1.4408)	1
4	SEAT	PTFE	2
5	BALL	AISI 316,304(1.4408)	1
6	STEM	AISI 316	1
7	STEM SEAL	PTFE	1
8	STEM PACKING	PTFE	1
9	STOP	AISI 304	1
10	RING	AISI 304	1
11	BEVEL WASHER	AISI 301	2
12	NUT	AISI 304	1
13	HANDLE	AISI 304	1
14	SPRING WASHER	AISI 304	1
15	NUT	AISI 304	1
16	PLASTIC COVER	PLASTIC	1
17	HANDLE SLEEVE	PLATIC	1
18	STOP BOLT	SS304	1
19	HANDLE ADAPTER	CF8	1
20	HANDLE	STEEL	1

□ DIMENSION(M.M.)

SIZE	DN	ISO-5211	C	D	Ød3	Ød4	ØE	F	I	ØG	H	L	L1	M	P	f
1-1/4"	32	F04	88.9	117.3	42	5/8"	32	11.2	8.0	64.0	87	54	48	165	50	1.6
1-1/2"	40	F05	98.6	127.0	50	5/8"	38	11.2	8.0	73.2	90	62	54	193	54	1.6
2"	50	F05	120.7	152.4	50	5/8"	50	11.2	8.0	91.9	99	80	72	193	62	1.6
2-1/2"	65	F07	139.7	177.8	70	5/8"	64	16.0	9.5	104.6	141	101	93	235	82	1.6
3"	80	F07	152.4	190.5	70	5/8"	76	28.0	9.5	127.0	150	118	110	235	91	1.6
4"	100	F10	190.5	228.6	102	5/8"	96	28.0	17	157.2	172	150	144	266	107	1.6
6"	150	F12	240.0	285.0	125	3/4"	138	28.0	17	215.9	220	182	177	600	130	1.6

REV	DATE	DESCRIPTION	CODE	REVISOR	REMARKS	MATERIAL	APPROVE	CHECK	SCALE	UNIT	TITLE	REV	A
						ANSI 150			FREE	mm	Wafer Flanged Ball Valve	DATE	2003.12.12
						Wafer			AF-56		Q'TY		1
						Ball Valve							
						1/2" - 1"			DWG NO	AF-56-V1F-002	TITLE		
		Wafer Flanged Ball Valve 1-1/4"~6" ANSI 150											