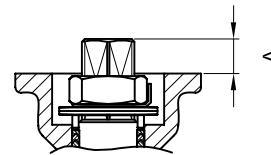
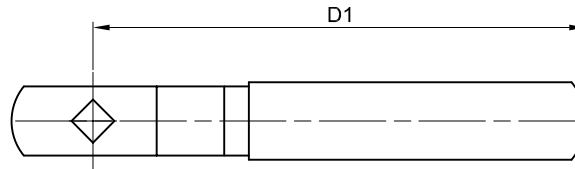
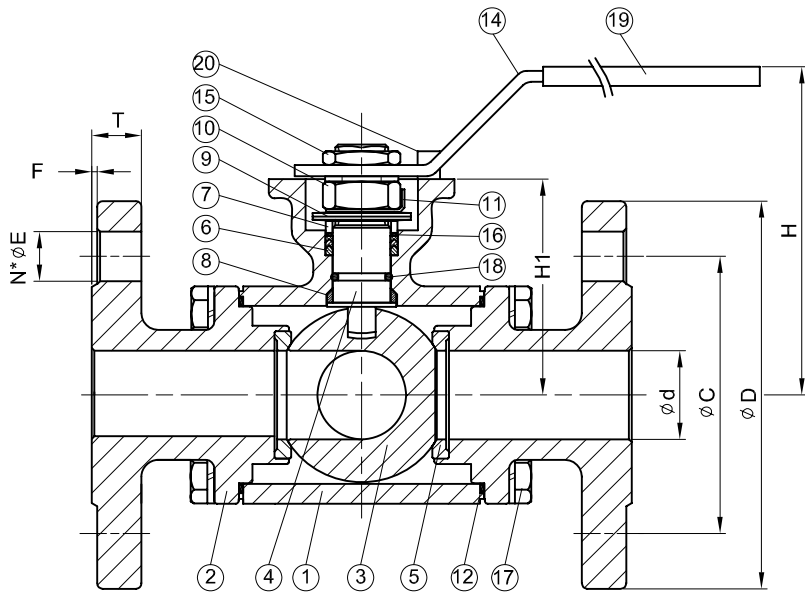


SIZE	d	C	D	N	E	F	T	H	H1	L	D1	A	M	M1	M2	M3	K
1/2"	16	60.5	89	4	16	1.6	11.2	89	50	147.4	133	9.0	6.0	42	9		
3/4"	20	70	98.6	4	16	1.6	12.7	98	59.5	155.8	178.5	9.5	7.0	50	11		
1"	25	79.2	108	4	16	1.6	14.3	102	63.5	168.8	178.5	11	7.0	50	11		
1 1/4"	32	88.9	117.5	4	16	1.6	15.9	118.5	79.5	197.9	230	15.2	7.0	9.0	50	70	14
1 1/2"	38	98.6	127	4	16	1.6	17.5	127	88	221.4	230	14.3	7.0	9.0	50	70	14
2"	50	120.7	152.5	4	19	1.6	19.1	139	105	244.6	280	17.8	9.0	11.0	70	102	17
2 1/2"	65	139.7	177.8	4	19	1.6	23.3	117.3	165.7	278	250	17.5	9.0	11.0	70	102	17



NO.	PART NAME	MATERIAL	Q'TY
1	BODY	CF8M	1
2	CAP	CF8M	3
3	BALL	CF8M	1
4	STEM	SS.316	1
5	BALLSEATS	PTFE.	4
6	STEM PACKING	PTFE	1
7	GLAND BUSH	SS.304	1
8	THRUST WASHER	PTFE.	1
9	BEVELILLE WASHER	SS.304	2
10	HANDLE NUT	SS.304	1
11	STOP	SS.304	1
12	GASRET	PTFE	5
13	CAP	CF8M	1
14	HANDLE	SS.304	1
15	HANDLE NUT	SS.304	1
16	THRUSP WASHER	PTFE 25% G/F	1
17	BOLTS	SS.304	16
18	O-RING	VITON	1
19	HANDLE SLEEVE	VINYL GRIP	1
20	STOP PIN	SS.304	1



PORT TYPE	1	2	3	4
L	1/3 2	1/3 2	1/3 2	1/3 2
T	1/3 2	1/3 2	1/3 2	1/3 2

REV	DATE	DESCRIPTION	CODE	REVISER	REMARKS	MATERIAL	APPROVE	CHECK	SCALE	UNIT	DATE	Q'TY	TITLE	REV	F
						1/2"~2-1/2"			FREE	mm	2007.10.18		3-Way Flanged End Ball Valve		Peggy
						ANSI 150			S2B						
						3-WAY Ball VALVE			S2B-005						

