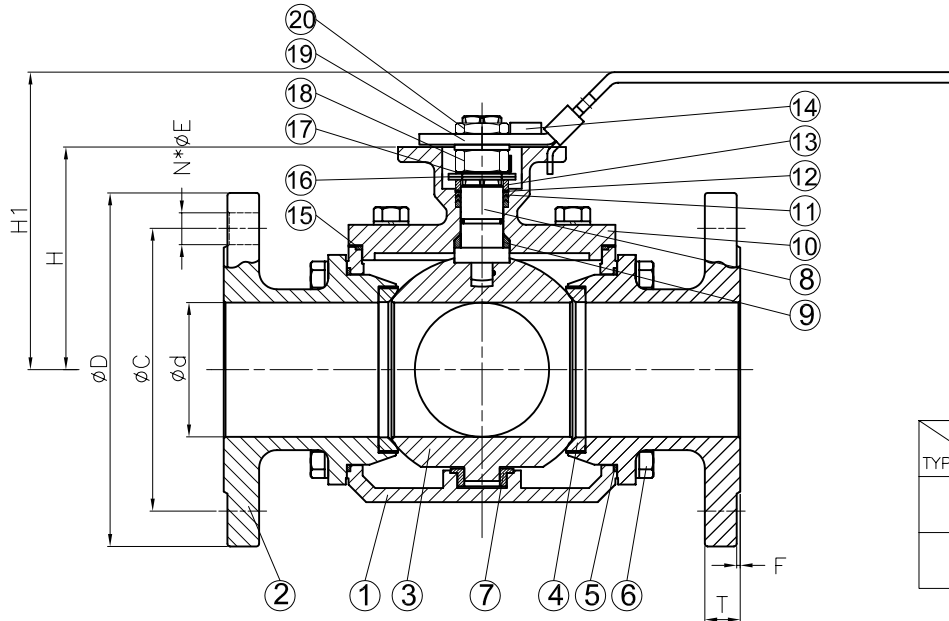
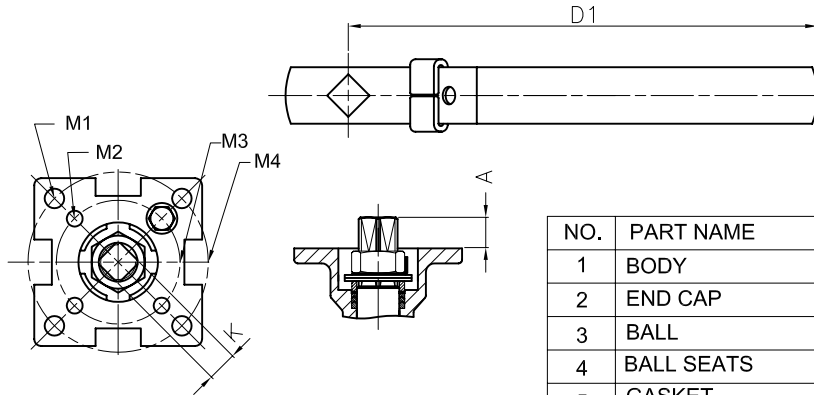


SIZE	PN	d	C	D	N	E	F	T	H	H1	L	D1	A	K	M1	M2	M3	M4
3"	16	76	160	200	8	18	2.0	20	128	170	292.2	250	17.5	17	9.0	11	70	102
	24																	
4"	16	100	180	220	8	18	2.0	20	165	230	360	300	23	22	11	13	102	125
	40		190	235		22		24										



NO.	PART NAME	MATERIAL	Q'TY
1	BODY	1.4408	1
2	END CAP	1.4408	4
3	BALL	1.4408	1
4	BALL SEATS	FTFE	4
5	GASKET	PTFE.	4
6	BLOTTING	SS.304	20
7	BALL SEATS	PTFE.	1
8	STEM	SS.316	1
9	THRUST WASHER	PTFE	1
10	CAP	1.4408	1
11	STEM PACKING	PTFE	1組
12	THRUST WASHER	PTFE 25% G/F	1
13	GLAND BUSH	SS.304	1
14	STOP BOLT	SS.304	1
15	GASRET	PTFE	1
16	BEVELILLE WASHER	SS.304	2
17	STOP	SS.304	1
18	HANDLE NUT	SS.304	1
19	HANDLE	SS.304	1
20	HANDLE NUT	SS.304	1

PORT TYPE	1	2	3	4
L	1/3 2	1/3 2	1/3 2	1/3 2
T	1/3 2	1/3 2	1/3 2	1/3 2

REV	DATE	DESCRIPTION	CODE	REVISER	REMARKS	MATERIAL	APPROVE	CHECK	SCALE	UNIT	DATE	Q'TY	TITLE	REV	F
									FREE	mm	2004.06.29		4-WAY FLANGED END BALL VALVE		Peggy
									S2B						
									S2B						
									S2B-4B-4-PN-002						
		4-Way Flanged End Ball Valve PN16/40 3"~4"													



Anson Flow Corp.