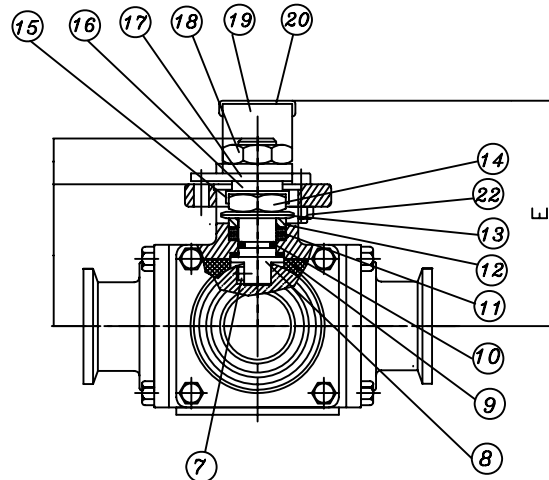


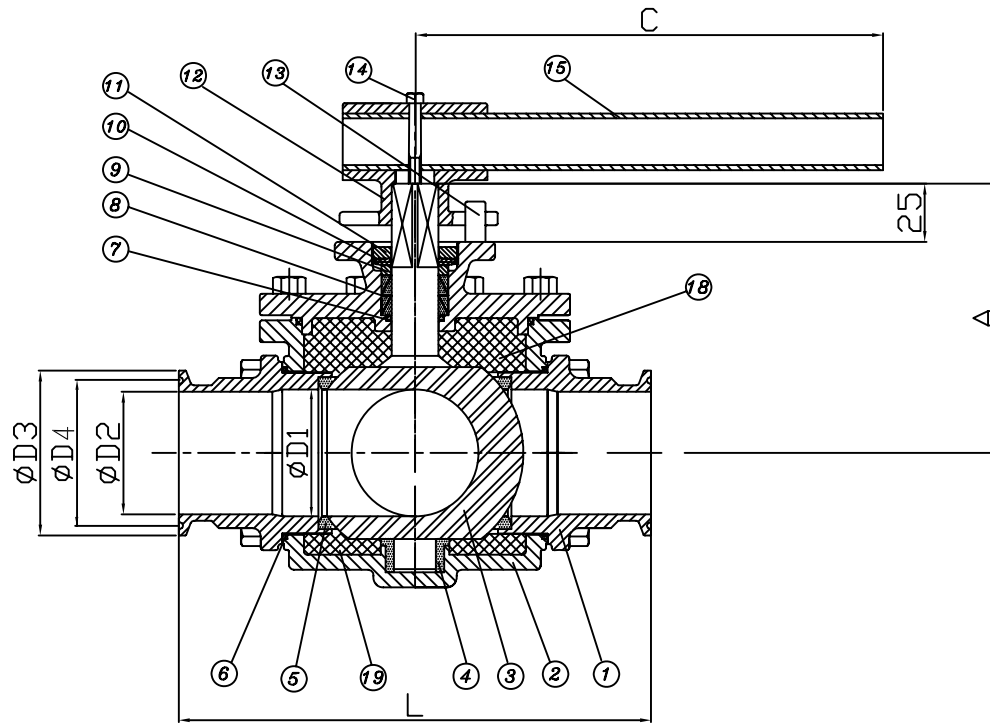
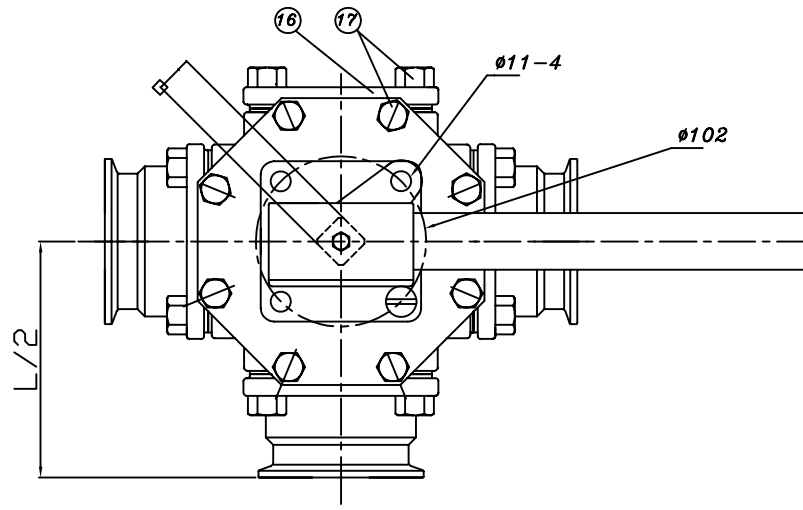
SIZE	A	B	C	d1	d2	E	F	G	H	L/2	L	D	D1	D2	D3
1/2"	38.5	11	130	6.0	6.0	62	36	42	9	60	120	12	9.6	21.7	25
3/4"	41	11	130	6.0	6.0	64	36	42	9	68	136	15	15.8	21.7	25
1"	55	14	165	6.0	7.1	89	42	50	11	80	160	25	22.1	43.5	50.4
1 1/2"	74	18	205	7.1	9.2	108	50	70	14	91	182	38	34.8	43.5	50.4
2"	93	23	325	9.2	11.4	140	70	102	17	108	216	50	47.5	56.5	63.9



- * Available in stainless steel
- * Body & end are investment cast
- * Self adjusting stem packing
- * Available in 3/4-way, T/ L/ X/I-port
- * 4 piece ball seats
- * with cavity filler
- * Blow-out proof stem design
- * 100% air tested under water at 80 psi
- * Working pressure 800 psi
- * Temperature range -20 to 450°F
- * ISO 5211 direct mounting pad connection DIN 3337
- * End cap type : T-Clamp/ Tube weld ends

NO.	NAME OF PARTS	MATERIALS	QTY
1	BODY	A351 Gr. CF8M	1
2	"T" CLAMP END	A351 Gr. CF8M	3
3	CAVITY FILL SEAT	PTFE	2
4	GASKET	PTFE	4
5	BLANK CAP	A351 Gr. CF8M	1
6	BALL SEAT	PTFE	4
7	PIN	SS 316	1
8	STEM	SS 316	1
9	THRUST WASHER	PTFE	1
10	O-RING	VITON	1
11	STEM PACKING	PTFE	1
12	GLAND	SS 304	1
13	DISK WASHER	SS 301	2
14	STEM NUT	SS 304	1
15	NUT STOP	SS 304	1
16	SPACE	SS 304	1
17	PLATER STOP	SS 304	1
18	HANDLE NUT	SS 304	1
19	HANDLE	SS 304	1
20	HANDLE COVER	PLASTIC	1
21	STOP PIN	SS 304	1
22	STOP PIN NUT	SS 304	1
23	END CAP BOLTS	BB	16
24	CAVITY FILL HOUSING	PTFE	2

REV	DATE	DESCRIPTION	CODE	REVISER	REMARKS	MATERIAL	APPROVE	CHECK	SCALE	UNIT	mm	Q'TY	REV	F
					1/2"~2"				FREE	UNIT	mm		REV	F
					Multi-Port				PART NO	SP2B-T			DATE	2003.02.09
					Ball Valve				OTHER	DWG NO	SP2B-T	TITLE		Multi-Port Sanitary Ball Valve
					Tri-clamp				AF Anson Flow Corp.					



NO.	NAME OF PARTS	MATERIALS
1	T- CLAMP END	A351 Gr. CF8M
2	BODY	A351 Gr. CF8M
3	BALL & STEM	SS 316
4	HOUSING	RPTFE+STAINLESS
5	SEATS	PTFE
6	GASKET	PTFE
7	O-RING	VITON
8	STEM PACKING	PTFE
9	GLAND WASHER	SS 304
10	DISK WASHER	SS 301
11	GLAND	SS 304
12	HANDLE HEAD	A351 Gr. CF8
13	STOP PIN	SS 304
14	BOLT	SS 304
15	LEVER	CARBON STEEL
16	BLANK END	A351 Gr. CF8M
17	CONNECTION BOLTS	SS 304
18	CAVITY FILLER(A)	PTFE
19	CAVITY FILLER(B)	PTFE

Unit : mm

SIZE	A	C	D1	D2	D3	L	L/2	D4
2 1/2"	144	400	62	60.2	77.4	241.3	120.65	70.5
3"	162	500	76	72.9	91	279.4	139.7	83.2
4"	182	650	96	97.4	119	330.2	165.1	110.4

- * Available in stainless steel
- * Body & flange end are investment cast
- * Self adjusting stem packing
- * Available in 3 way & 4 way
- * Available in T/L/X/I-port
- * with cavity filler for sanitary application
- * 4 piece ball seats
- * Blow-out proof stem design
- * 100% air tested under water at 100 psi
- * Temperature range -20 to 450°F
- * ISO 5211 direct mounting pad / connetion DIN 3337
- * T-Clamp end/ Tube Weld ends

						2-1/2"~4"	MATERIAL	APPROVE	CHECK	REV	F
						Multi-Port	SCALE	FREE	UNIT	mm	DRAWN BY Peggy
						Ball Valve	PART NO	SP2B-T	Q'TY	DATE	2002.08.30
						Tri-clamp	OTHER	DWG NO	SP2B-T	TITLE	Multi-Port Sanitary Ball Valve
REV	DATE	DESCRIPTION	CODE	REVISER	REMARKS	Anson Flow Corp.					